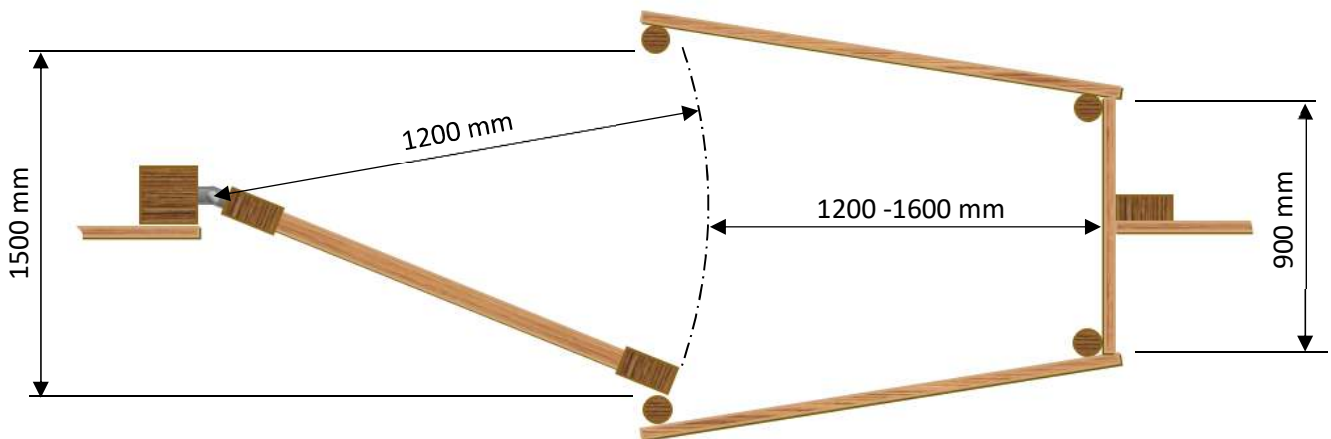
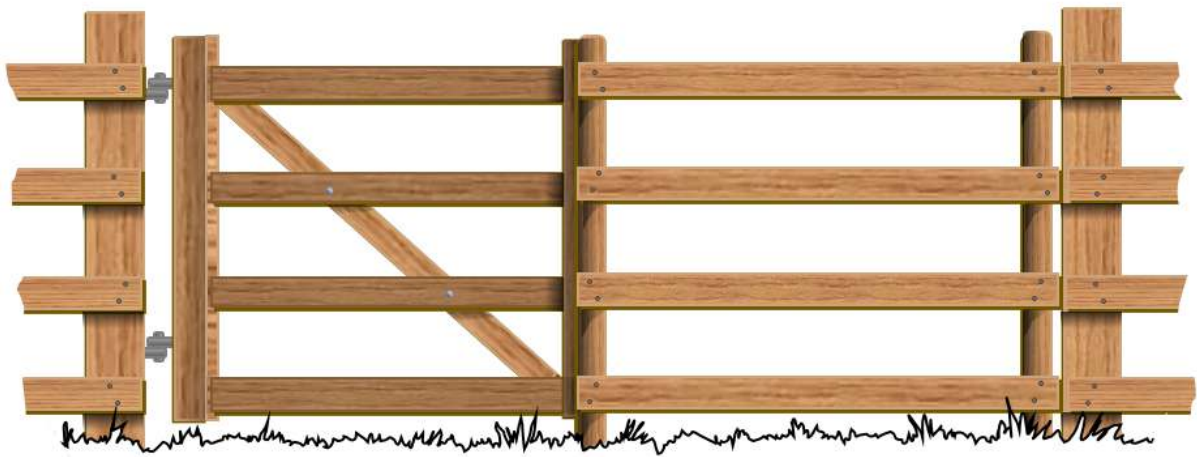


Wood Kissing Gates

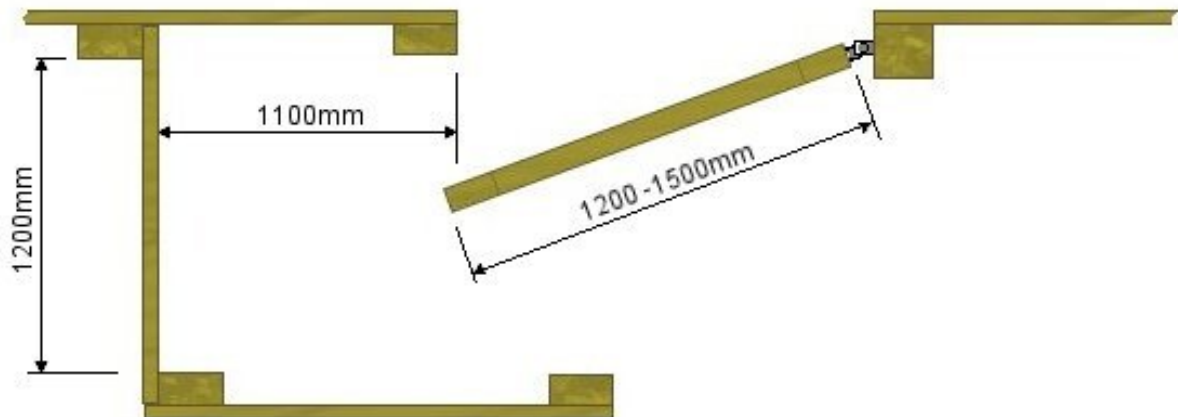


Specifications (Example Wood Kissing Gate):

- Gatepost should be 125 mm x 125 mm x 1950 mm (750 mm into the ground and concreted)
- Other posts 100 mm square or round (600 mm into the ground)
- Wire netting or additional rails can be added where required
- A latch or spring may need to be fitted if necessary
- Kissing gates should normally close away from a boundary used predominantly by livestock



Alternative plan for kissing gate flush with boundary on fence on one side



Alternative plan for pedestrian only kissing gates

(Neither of the kissing gates plans shown below are to British Standard specifications)

The top design allows passage for person with rucksack, the lower design is the minimum recommended dimensions

